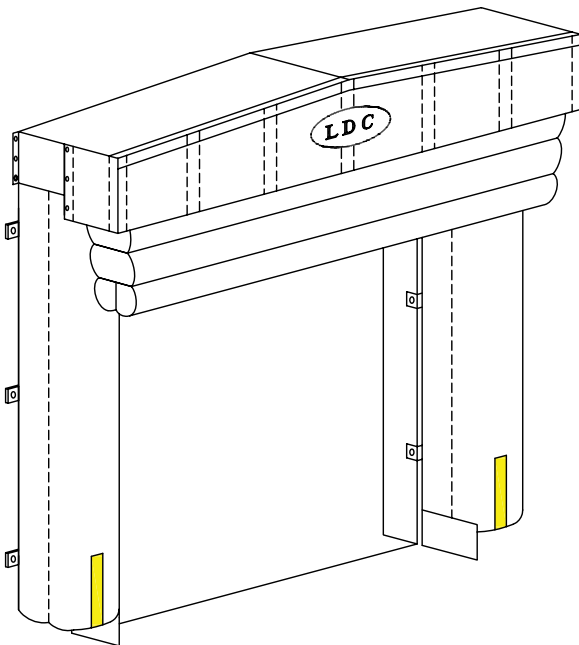
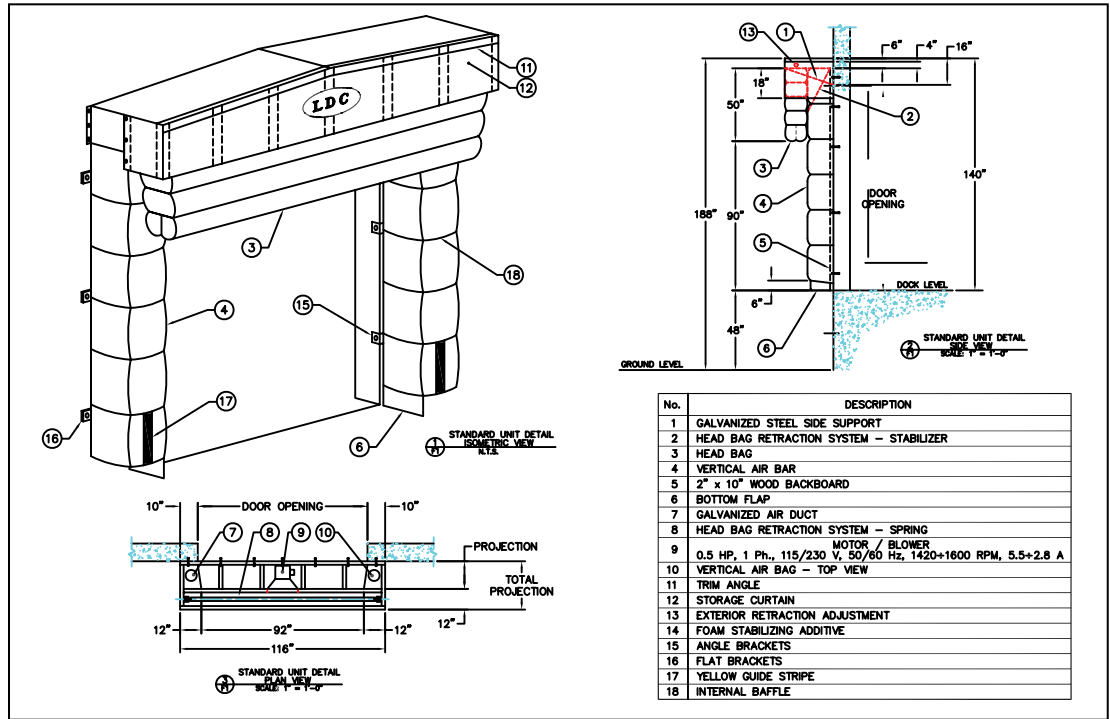


LDC offers a wide variety of custom inflatables to satisfy your dock requirements

- Square faced design creates larger contact area against truck
- Pressure treated non-rot wood framing
- 24" yellow guide stripes for accurate truck placement
- Translucent polyethylene sheeting on head frame allows light into dock area
- Internal retraction spring with external adjustment
- Custom sizes and projections available
- Available in 22 oz Hi-Tear Vinyl or rugged 16 oz Hi-Tear Hypalon



Also available is the E350 with bubble design on header and sides

AUTHORIZED DEALER

CUSTOMIZE YOUR DOCK TO SUIT YOUR SPECIFIC NEEDS



INCLINE APPROACH



BEVELED AIR BAGS
(Top View—D350 only)



DECLINE APPROACH

LDC can customize your dock seal with the ideal fabric for your application from a wide range of colours and fabrics available.

14 oz Hi-Tear Vinyl



22 oz Hi-Tear Vinyl



32 oz Hi-Tear Vinyl



40 oz Hi-Tear Vinyl



Hi-Performance Arctic Seal



16 oz Hi-Tear Hypalon



40 oz Hi-Performance Hypalon



LOADING DOCK COMPANY (LDC) LTD.

1090 Aerowood Dr., Units 2-4

Mississauga, ON L4W 1Y5

Phone 905.566.0157 Fax 905.566.8003

Toll Free 866.864.5265

www.loadingdockcompany.com

