



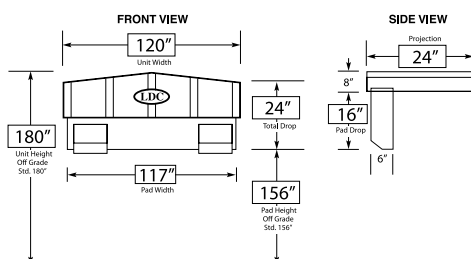
SERIES D900 Rain Shroud

BENEFITS

- ▶ **SAVE** hundreds of dollars in reduced energy costs
- ▶ **ELIMINATE** wet & slippery conditions in loading dock area
- ▶ **PROTECT** product from contamination & water damage
- ▶ **INCREASE PRODUCTIVITY** by providing a safe & comfortable working environment
- ▶ **DURABLE** range of Hi-Performance fabrics to choose from
- ▶ **CUSTOM** sizes available



SPECIFICATIONS

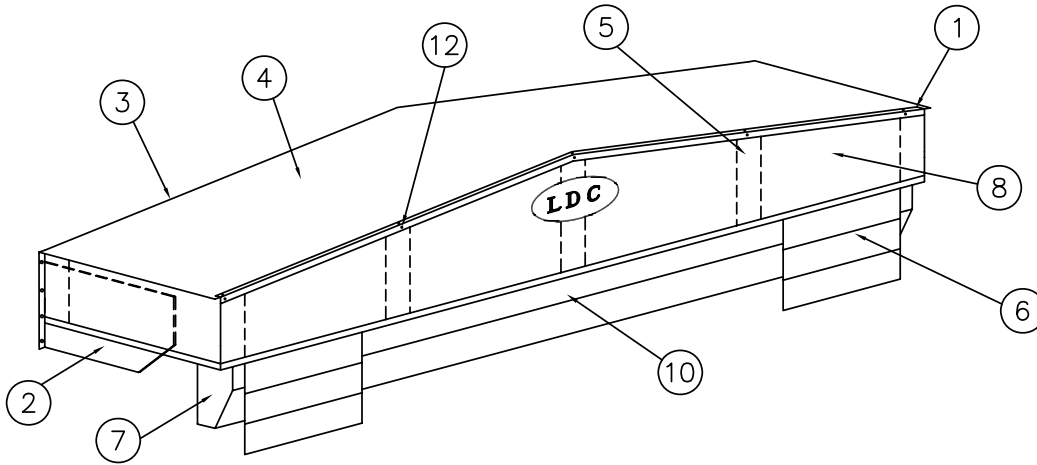


LDC's Rain Shroud can be retrofitted to your existing unit to keep rain water out of the loading dock area.

A foam wiper blade design creates a tight seal against the top of the trailer to keep rain water out of the loading dock area.

This economical design is virtually maintenance free with no mechanical parts to wear out.

LDC offers a wide variety of custom solutions to satisfy your dock requirements



No.	DESCRIPTION
1	GALVANIZED TRIM ANGLE
2	GALVANIZED SIDE SUPPORT
3	PRESSURE TREATED WOOD FRAME
4	POLYETHYLENE SHEETING
5	STIFFENERS
6	10" x 20" WEAR FLAPS
7	FOAM PAD
8	STORAGE CURTAIN
9	3/8" x 3" SLEEVE ANCHOR
10	DOUBLE LAYER OF FABRIC
11	3/8" x 1 7/8" SLEEVE ANCHOR
12	#14 x 1 1/2" WOOD SCREWS Z/P

KEEP WATER OUT BEFORE IT BECOMES A PROBLEM

- Eliminate wet and slippery conditions in the loading dock area that can jeopardize employee safety.
- Increase employee comfort and productivity.
- LDC's rain shroud diverts water off the truck and away from the loading dock area.
- Decline approach driveways and yard jockeys can increase water flow into your building off the top of trailer.



DECLINE APPROACH



Water infiltration onto the loading dock area can lead to wet & slippery floors which can be dangerous to personnel.



Product damage can occur from water dripping onto your product.

CUSTOMIZE YOUR DOCK TO SUIT YOUR SPECIFIC NEEDS



DOCK LIGHTS



WHEEL CHOCKS

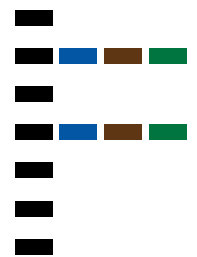


BUMPERS

OTHER PRODUCTS AVAILABLE FROM LDC

LDC can customize your dock seal with the ideal fabric for your application from a wide range of colours and fabrics available.

- 14 oz Hi-Tear Vinyl
- 22 oz Hi-Tear Vinyl
- 32 oz Hi-Tear Vinyl
- 40 oz Hi-Tear Vinyl
- Hi-Performance Arctic Seal (NEW)
- 16 oz Hi-Tear Hypalon
- 40 oz Hi-Performance Hypalon



AUTHORIZED DEALER

LOADING DOCK COMPANY (LDC) LTD.

1090 Aerowood Dr., Units 2-4
Mississauga, ON L4W 1Y5

Phone 905.566.0157 Fax 905.566.8003

Toll Free 866.864.5265

www.loadingdockcompany.com

