

PREDADOOOR[®] NXT[®]

HIGH PERFORMANCE ROLLING DOOR

America's Leading High-Speed Door Taken to the Next Level.

Rytec has taken the PredaDoor, the industry's top selling high performance door, and added NXT generation features to offer the most advanced direct drive roll door available - the PredaDoor NXT.

In addition to contoured side columns, the PredaDoor NXT offers a tighter seal on all sides and an advanced wireless safety system. Like the original, it is durable and can take a hit. The NXT Quick-Set repair system engages through the System 4 after aligning the bottom bar.

The PredaDoor NXT offers high performance for interior and exterior applications where speed, low maintenance and dependability are critical. Plus, a two-year warranty makes it the best value in the business.

Fast - Opens at up to 50 inches per second for improved traffic flow, productivity and energy conservation.

Safe - Full-width vision panel, two sets of thru-beam photo eyes and a pneumatic reversing edge are standard. Optional Ry-Beam™ light curtain is available.

Takes a Hit and Resets - The NXT Quick-Set™ repair system permits the operator to reset the door after aligning the bottom bar.

Ry-Wi™ System - State-of-the-art wireless technology eliminates the need for a coil cord. Two-way communication and total frequency control ensure safety and eliminate interference.

Total Digital Control - The highly advanced System 4™ door controller enables precise door positioning, infinite speed adjustments and total control of all door functions.

Durable Fabric Panel - Standard replaceable vinyl panel sections available in a variety of colors. Optional 2-ply and 3-ply Rilon™ available.

Full-Perimeter Seals - Brush seal at the top of the door. Two brushes in each side column seal both sides of the panel. Vinyl loop along the floor completes a full-perimeter seal.



PREDADOOOR[®] NXT[®]

HIGH PERFORMANCE ROLLING DOOR

Model Name

- Rytec[®] Predadoor[®] NXT[®]

Size and Dimensions

- Up to 16' W x 15' H
- 20" headroom above lintel
- 8" side clearance, non-drive
- Left or right hand motor placement
- 4" side column projection
- 17" head projection
- 16" side clearance, motor side

Safety

- Thru-beam photo eyes
- Pathwatch[™] safety light system
- Dual-chamber pneumatic reversing edge
- Ry-Wi[™] wireless system

Available Options

- Fiberglass windribs
- 2-ply or 3-ply Rilon[™] or USDA-compliant panel material.
- Vinyl weatherseals

Warranty

- Two-year limited warranty on mechanical and electrical components.
- Three-year limited warranty on 2-ply Rilon[™] panel material.



Quick-Set tabs for damage free release

Break-Away[™]

- The Quick-Set Break-Away[™] tabs permit the wireless bottom bar to release in either direction without damage to the door.
- Cutoff switches shut off motor when bottom bar is impacted.
- Automatically resets the door with a push of the button after aligning the bottom bar.

Tight Seal on All Sides

- Full height brush seals on each side of the side column.
- Edge-to-edge brush seal at the top of the door.
- Vinyl loop forms a tight seal to the floor.



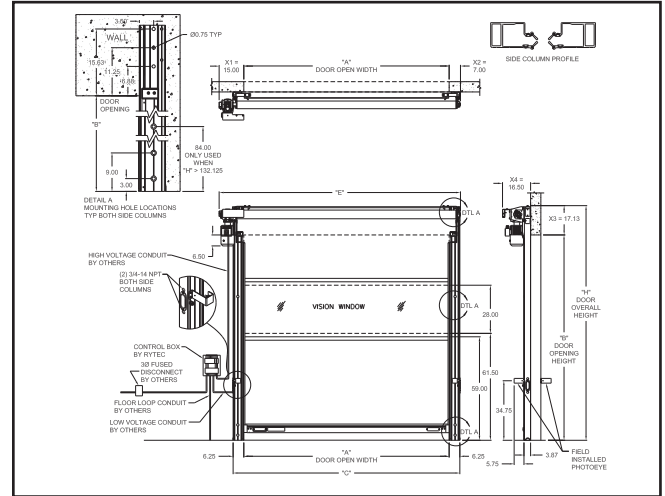
Edge-to-edge brush seal



System 4 shown with optional rotary disconnect

Electrical Controls

- System 4[™] controller housed in a NEMA 4X rated enclosure with factory set parameters.
- Intelligent processor monitors and controls power consumption.
- Advanced self-diagnostics for troubleshooting.



Drive System

- Three-phase, variable speed AC Drive provides soft acceleration and deceleration.
- Independent opening and closing speeds provide flexibility to accommodate any application.



Direct drive motor



Automatic sleep mode extends battery life.

Ry-Wi Wireless Safety System

- Continuous and uninterrupted signal eliminates the need for coil cords on the bottom bar while maintaining safety and reducing maintenance.
- The control reliable system is self-contained on each door with directional transmitters and receivers operating independently.



888-GO-RYTEC RytecDoors.com
Tel 262-677-9046 Fax 262-677-2058
One Cedar Parkway Jackson, WI 53037-0403