

FIRE DOOR CLOSING SYSTEMS

AlarmGard® & FireGard™



PREVENT SMOKE AND FIRE DAMAGE

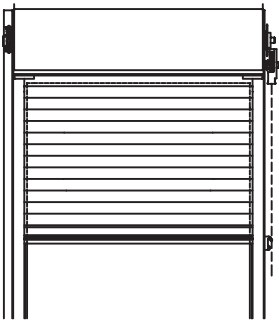
According to the National Fire Protection Association (NFPA), in 2014, there were 1,298,000 fires reported in the United States. These fires caused 3,275 civilian deaths, 15,775 civilian injuries, and \$11.6 billion in property damage.

Cookson fire solutions can help save property, and more importantly, lives. Our advanced Fire Door Systems offer industry-leading, intelligent operation and will:

- ▶ Activate thermally or electrically to contain fire and smoke spread
- ▶ Easily - or even automatically - reset or auto open after a fire event or power outage

Cookson Rolling Fire Doors are the clear and reliable choice for building owners and designers who demand the highest level of life safety and fire protection available with the lowest cost of ownership in a modern, easily integrated package.





ROLLING FIRE DOORS

Custom Built for Everyday Use

Our Rolling Fire Doors, designed for fire rated openings, provide security and access control and are for use in openings that are not part of a required means of egress. Factory Mutual Approved and listed with the California Office of the State Fire Marshall. UL listed for fire protection ratings of ¾, 1½, 3 and 4 hours.

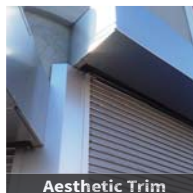
STANDARD COMPONENT MATERIALS AND FINISHES	
Curtain	Galvanized steel with GalvaNex™ finish in Gray, Tan, White or Brown
Bottom Bar	Steel with powder coating in Gray, Tan, White or Brown
Guides	Steel with powder coating in Gray, Tan, White or Brown
Counterbalance Shaft	Steel
Brackets	Steel with powder coating in Gray, Tan, White or Brown
Hood	Galvanized steel with GalvaNex™ finish in Gray, Tan, White or Brown

OPTIONAL MATERIALS AND FINISHES

- ▶ **Stainless steel**
 - ▶ **SpectraShield® powder coating in more than 180 colors**
- ADDITIONAL BRACKET AND GUIDE OPTIONS**
- ▶ **Hot-dip galvanizing on steel components**
 - ▶ **Zinc enriched corrosion resistant powder coating in gray**

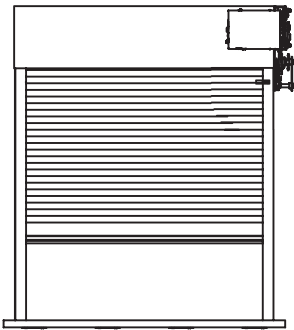
POPULAR OPTIONS

PERFORMANCE UPGRADES



SmokeShield - UL "S" leakage-rated assembly provides protections against the migration of smoke and fumes.

Insulated Rolling Fire Doors - Provides energy savings, sound attenuation and climate control. STC rating of 32. Flame spread and smoke development index 0.



RATED COUNTER SHUTTERS

Custom Built for Everyday Use

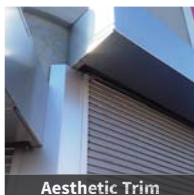
Our Rolling Counter Shutters protect interior corridors and create barriers for openings where life safety is a priority. For use in rated walls, masonry or dry wall with metal or wood studs, our counter shutters can also be used to close full-sized door openings when compact components are desired. UL labels available for ¾, 1½, and 3 hours.

STANDARD COMPONENT MATERIALS AND FINISHES	
Curtain	Galvanized steel with GalvaNex™ finish in Gray or Tan
Bottom Bar	Steel with powder coating in Gray or Tan
Guides	Steel with powder coating in Gray or Tan
Counterbalance Shaft	Steel
Brackets	Steel with powder coating in Gray or Tan
Hood	Galvanized steel with GalvaNex™ finish in Gray or Tan

OPTIONAL MATERIALS AND FINISHES

- ▶ **Stainless steel**
 - ▶ **SpectraShield® powder coating in more than 180 RAL colors**
- ADDITIONAL BRACKET AND GUIDE OPTIONS**
- ▶ **Zinc enriched corrosion resistant powder coating in gray**

POPULAR OPTIONS



PERFORMANCE UPGRADES

SmokeShield – UL “S” leakage rated assembly provides smoke, fume and draft control.

Integral Frame and Sill – Factory-welded frame and sill configuration for a built-in look. Available in UL labels for ¾ or 1 ½ hours.

THE IMPORTANCE OF CHOOSING THE RIGHT FIRE DOOR CLOSING SYSTEM

Fire doors are mandatory. A closing system can be custom tailored to your needs. Why not choose one with the features that truly benefit the owner long after the installation is complete?

ALARMGARD

Alarm Activated

Select AlarmGard if you want the most advanced closing system that closes your doors as soon as fire is detected and features hands-free reset.

FIREGARD

Fusible Link Activated

Select FireGard if you want a fusible link closing system that is economical and easy to use.

FUNCTION	BENEFIT	ALARMGARD			FIREGARD	
		MOTOR	TUBE MOTOR*	CHAIN OR CRANK	MOTOR	CHAIN OR CRANK
Wires directly to alarm system without adding a separate release device	Integrated connection to alarm system eliminates the need to purchase separate release devices and creates a cleaner look	X	X	X		
Automatically resets upon alarm clearing or restoration of power	Doesn't require human interaction to reset to fully operational status	X	X	X		
Automatic close initiated by signal from fire alarm control panel	Closes in advance of smoke or high temperatures reaching the opening - compartmentalizing the fire	X	X	X	O	O
Operates fail-safe	Performs its intended function in the event of power loss or electrical notification (fusible links are not fail-safe)	X	X	X	O	O
Automatic close initiated by fusible link	Suitable where connection to alarm system is not required or power is not available	O	O	O	X	X
Does not require manual resetting of spring tension after closing	Eliminates downtime and maintenance costs associated with resetting process	X	X	X	X	X
Allows for routine and simple testing of system to occur in minutes	Can be tested at floor level with no need for hazardous ladders or resetting tools	X	X	X	O	O
May be retrofit to other manufacturers' doors	Gain the benefits of our advanced closing systems without requiring a new fire door and keep existing UL or FM labels	X		X	X	X
Controlled and safe rate of descent 9-12 ips	Prevents potential danger to building occupants or objects in the opening when the door closes	X	X	X	X	X

* Available for Counter Fire Doors

x Available as a Standard o Available as an Option

CLOSING SYSTEM RELEASE DEVICES

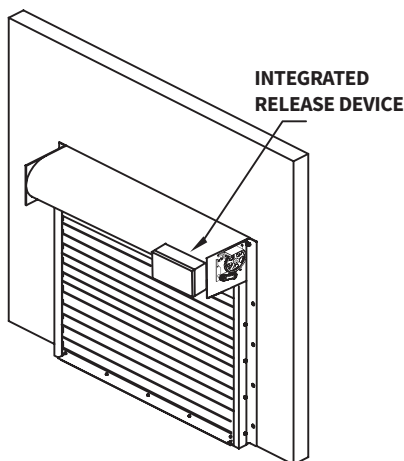
Automatic Response in an Emergency

If a fire or smoke event occurred in the school pictured here, you would want your fire doors to immediately react to the central alarm signal, causing them to close and prevent the spread of smoke and fire so students could exit safely.

Our fire door closing systems can be ordered with an integrated or optional release device, which will respond immediately when the alarm signals and when you need it most.



AlarmGard Integrated Fail-Safe Release Device

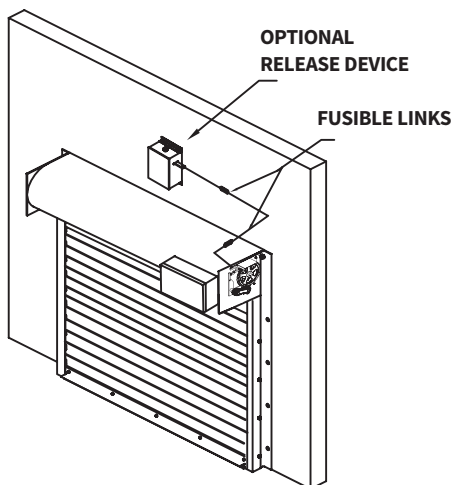


On-Board Closing Device

The AlarmGard Closing System comes already equipped with an integrated release device, making it the superior choice for applications where there is minimal wall space for additional devices, or where the coil box must be recessed into the ceiling construction.

- ✓ **Activates Door to Close when Alarm Signals**
- ✓ **Does Not Require Human Interaction to Reset or Re-Open after Alarm Clears**
- ✓ **Requires Minimal Headroom Clearance**
- ✓ **Faster Installation Times**
- ✓ **Clean, Streamlined Appearance**

FireGard Optional Release Device



Wall Mounted Closing Device

The FireGard Fusible Link Closing System can be ordered with an optional fail-safe release device, which will respond to alarm signals and permit the fire door to close prior to smoke migration or the high temperatures required to melt the fusible link.

The FireGard optional release device is suitable for applications that can offer more wall space for the installation of the device and where aesthetics are less important.

Also available:
FireGard Chassis Mounted Release Device

CLOSING SYSTEM ACCESSORIES

Available for both AlarmGard and FireGard Closing Systems

A variety of accessories are available to enhance the safety and functionality of a Rolling Fire Door or Counter Shutter.



Battery Backup Device

The addition of a battery backup device to the fail-safe release device prevents unplanned door closure due to power failure. The device also functions as a backup power source for local warning devices and detectors during power failures.



Entrapment Protection Devices

To meet the UL 325-2010 standards for safety, doors without a monitored and properly functioning primary entrapment device will only function by constant pressure to close.

- ▶ **Wireless Sensing Edge** Contact with the edge during the close cycle causes the door to immediately stop downward travel and reverse direction to the fully open position.
- ▶ **Photo Eyes** Interruption of the safety beam during the close cycle causes the door to immediately stop downward travel and reverse direction to the fully open position.



Floor Level Test Stations

Safely and conveniently test and reset the functionality of the fire door at floor level. May be flush or recess mounted.



Fire Door Annunciators

ADA compliant safety devices provide a visual or audible advanced warning when the door is about to close. Can be supported by a battery backup device.

- ▶ **Voice Warning Module** Provides up to four different voice warning messages upon activation.
- ▶ **Horn Strobe** Visual strobe warning light powered by the release device.

AlarmGard® Model ERD10

The Most Advanced and Complete Fire Door Closing System

Activated by fire alarm systems or local detectors, this closing system features an integrated release device for an immediate, fail-safe response to a fire event, even in the case of a power failure.



AlarmGard Operating System Benefits

- ▶ **Compact Design Includes Integrated Fail-Safe Release Device**
- ▶ **Automatic Reset Plus Automatic Open Eliminates Reset Downtime by 100% after Alarm Clears**
- ▶ **Spring Tension Not Released Upon Activation**
- ▶ **Safe, Controlled Activated Closing speed of 9-12" Per Second**
- ▶ **Minimum Clearance Requirements**

Motor Operated AlarmGard System

These advanced systems close the fire door in response to an alarm signal and are fail-safe by design, safely closing the door during a fire event or prolonged power failure. When the alarm is cleared and power is restored, the door is automatically reset. AlarmGard operators do not require an optional release device. AlarmGard is especially beneficial in recessed applications because there is no need for direct access to the closing system to reset the door.

Retrofit Operators

The AlarmGard operating system can be retrofit to most manufacturers' fire doors while maintaining the door's listing agency ratings.

AlarmGard Tube Motor Operators For Counter Fire Shutters with or without Integral Frame and Sill

AlarmGard Tube Motor Operators are concealed in the shaft assembly, making them ideal for openings with minimal clearances or when aesthetics are crucial.

Features and Benefits:

- ▶ Convenience of motor operation
- ▶ Aesthetic, low profile design
- ▶ Full height openings to 9' high

Recommended Applications: Often seen in doctor's offices, pharmacies, retail and government applications, cafeterias, concession stands



Chain and Crank AlarmGard Systems Economical Function

Even with manual modes of operation, the advanced AlarmGard system includes an integrated fail-safe release device that electrically activates and automatically resets the door. Resetting spring tension or re-engaging the operator is not required.

Recommended Applications: Use for fire products that do not require the daily operating convenience of a motor operator. Clearance and access to the hand chain or crank eye is required.



FireGard™ Model ERD10

Save Time and Money on Daily Operation, Testing and Resetting

The FireGard's convenient and economical design is thermally activated. This system can be readily drop tested and reset with minimal downtime - dramatically reducing labor and inspection costs.



FireGard Operating System Benefits

- ▶ Activates without Releasing Spring Tension
- ▶ Fusible Link Activation Standard
- ▶ Safe, Controlled Closing Speed 9-12" Per Second
- ▶ Will Not Automatically Close Upon Power Failure
- ▶ Compact Design
- ▶ Easy Installation
- ▶ Connection to Alarm System (Optional)
- ▶ Floor Level Test Station (Optional)

Motor Operated FireGard System

Features and Benefits:

- ▶ Convenience of motor operation
- ▶ Auxiliary chain for emergency operation
- ▶ Simple and inexpensive annual testing

Chain and Crank Operated FireGard System

Features and Benefits:

- ▶ Power not required
- ▶ Economical
- ▶ Simple and inexpensive annual testing

Retrofit Operators

The FireGard operating system can be retrofit to most manufacturers' fire doors while maintaining the door's listing agency ratings.

A FULL LINE OF ADVANCED FIRE DOOR CLOSING SYSTEMS

With quality and reliability as our first priorities, our innovative fire door systems offer industry-leading functionality and intelligent operation.

Visit our website for more information on features, options and finishes available for our rolling fire doors and shutters.

ARCHITECTURAL DESIGN SUPPORT

Our experienced Architectural Design Support Team is available to help you customize our products and develop uniquely engineered solutions to fit your specific design needs.

Contact ADS@cooksondoor.com or call **1.800.294.4358 ext 1280** for design support.

A NETWORK OF LOCAL DEALERS TO PROVIDE SUPERIOR SERVICE

Whether you want to install a new closure system or are looking to service currently installed products, our Local Dealer Partners are trained and equipped with the tools and resources to ensure your satisfaction.

MAKE OUR YEARS OF SUCCESS A PART OF YOURS

Family owned and run since 1938, our expert design teams and ISO registered state-of-the-art facilities are focused on providing quality closure solutions that protect lives and property.

FOR MORE INFORMATION AND TECHNICAL DETAILS, VISIT COOKSONDOOR.COM/FIRE.





Your Authorized Cookson Dealer: